

Bond | Protect | Beautify

With our manual guns, automatic and robotic applicators, supplied by our wide range of pumps & machines for fluid handling, dosing, mixing & dispensing.

SAMES KREMLIN provides industrial solutions for production increase, quality improvement, material & cost savings.

We are designers and manufacturers of process equipment that is divided into 6 ranges:

Airspray: Since 1925, we have been an Airspray manufacturer bringing you the very best in finishing.

Airmix®: Creator of Airmix® Technology since 1975, we provide the perfect mix between quality and productivity.

Airless: We provide premium Airless Products for finishers with demanding applications.

REXSON Dispense: Pumping beyond possible, dispensing precisely.

Electrostatic: Expertise for high finishing quality & efficiency.

Powder: Powder coating solutions for the highest Productivity since 1960.

FIND YOUR
LOCAL CONTACT
BY FLASHCODE:



www.sames-kremlin.com



Apply your Skills



AIRMIX® 17F60 & AIRLESS 34F60 FLOWMAX® PAINT PUMP



- Unique bellow technology
- 15 years of experience
- Extended lifetime

Related Technologies



FLOWMAX®
feeding



GT Sealing



2 Ball



Triple
chrome
layer

Apply your Skills

www.sames-kremlin.com

AIRMIX® 17F60

& AIRLESS 34F60

FLOWMAX®



TECHNICAL DATA

	AIRMIX® 17F60 Flowmax®	AIRLESS 34F60 Flowmax®
Pressure ratio	17/1	34/1
Output per cycle (cc)		60
Maximum material pressure (bar)	100	200
Material flow at 30 cycles/min (L/min)		1.8
Max working temperature (°C)		60
Working pressure air in (bar)		2 to 6
Material outlet		3/8"
Valve air inlet	3/8" BSP	3/4" BSP
Fluid inlet siphon hose fitting		26 x125

FLOWMAX® TECHNOLOGY

Recognized as a major innovation in fluid handling since 1925, the AIRMIX® 17F60 and AIRLESS 34F60 FLOWMAX® pumps bring the possibility to pump the widest range of materials on the market including moisture sensitive or waterbone based materials.

With its unsurpassed quality bellows , the AIRMIX® 17F60 and AIRLESS 34F60 FLOWMAX® pumps ensure total sealing, performance, an extended lifetime and reliability.

The unique design with external valves allows very easy maintenance.

Creator of the FLOWMAX® bellow technology 15 years ago, SAMES KREMLIN has always proved its ability to stay innovative.

MATERIAL HANDLED

Water-based and solvent-based materials, varnishes, stains, 2K materials and moisture sensitive.

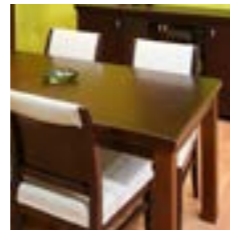
RECOMMENDED MARKETS



CONSTRUCTION EQUIPMENT



KITCHEN AND BATHROOM



FURNITURE



ROLLING EQUIPMENT

CUSTOMER BENEFITS

Increased lifetime ←

No lubrication ←

High reliability ←

Superlife™ bellow seal ←

STAINLESS STEEL WETTED PART

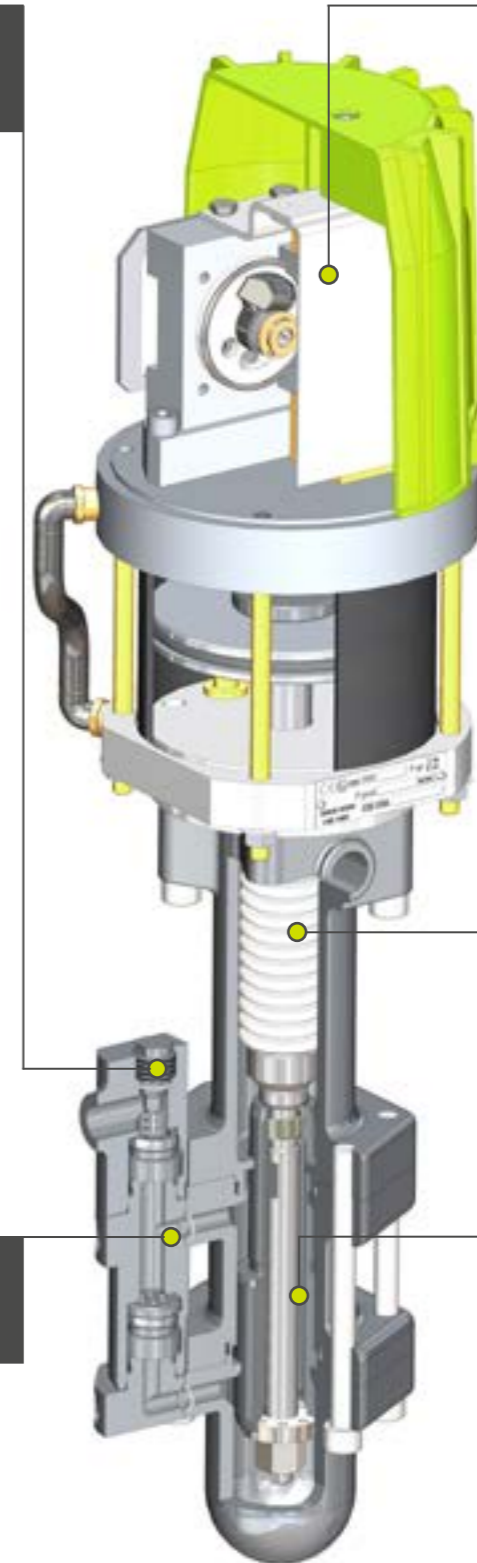
Compatible with widest range of material (paints, varnishes and liquid adhesives)

VERY QUIET AIR MOTOR

New reversing unit mounted with ball bearings for very quick reversing and extended air motor life time - easy servicing - no air distributor.

BELLOW PROVEN

- Leak free technology
- No lubricating cup
- Maintenance free
- Ideal for catalyst and moisture sensitive material.



EXTERNAL VALVE ASSEMBLY

- Easy maintenance
- Easy access for a fast servicing

FLOATING PISTON

- Reducing material shear and increasing seal lifetime
- Balance output on both stroke ideal for automatic application



www.sames-kremlin.com